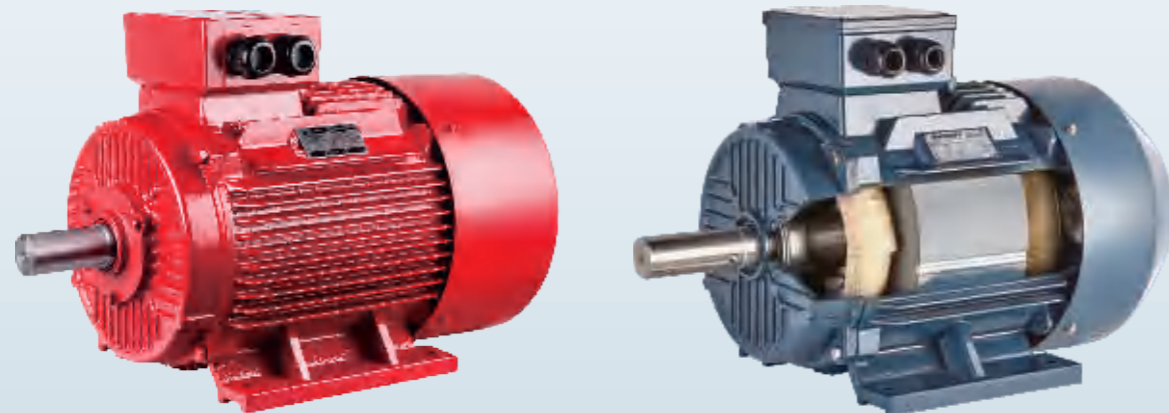




YE3

Electric motor TEFC type
Motor eléctrico tipo TEFC
Moteur électrique type TEFC

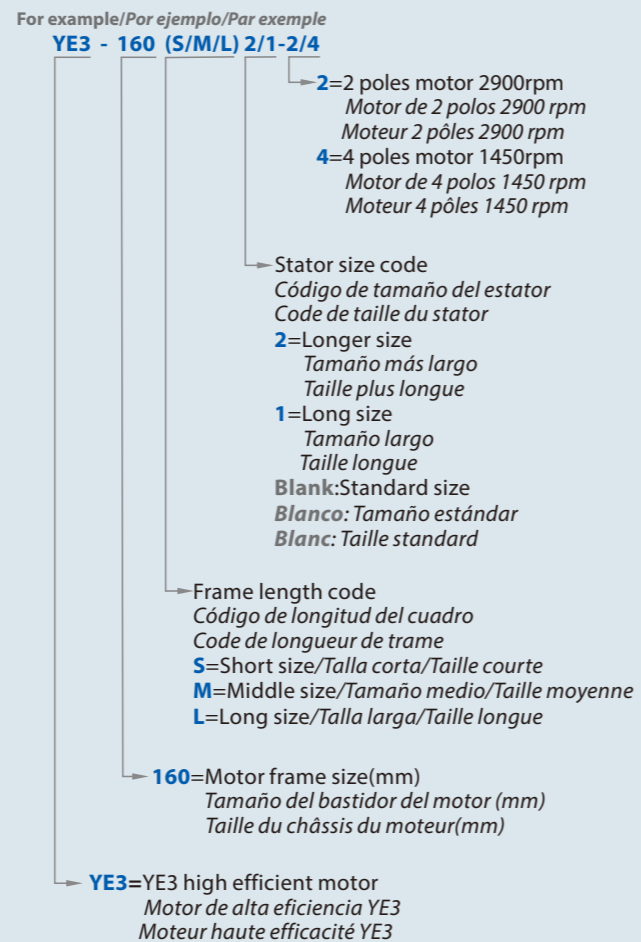


NEW/NUEVO/NOUVEAU

DESCRIPTION/DESCRIPCIONES/DESCRIPTION

- ◆ Design according to IEC60034 standard
 - ◆ TOTAL ENCLOSED FAN COOLING TYPE motor
 - ◆ YE3 high efficient motor
 - ◆ Protection IP55 class F
 - ◆ Quality NSK bearing
 - ◆ Continuous duty S1
 - ◆ Reliable used for fire fighting system etc.
 - ◆ Ambient temperature up to +50°C
 - ◆ Cooling type : IC411
- ◆ *Diseño de acuerdo con el estándar IEC60034*
 - ◆ *TOTAL DE VENTILADOR CERRADO TIPO motor*
 - ◆ *Motor de alta eficiencia YE3*
 - ◆ *Protección IP55 clase F*
 - ◆ *Rodamiento NSK de calidad*
 - ◆ *Servicio continuo S1*
 - ◆ *Fiable utilizado para el sistema de contra incendios, etc.*
 - ◆ *Temperatura ambiente hasta + 50 °C*
 - ◆ *Tipo de enfriamiento: IC411*
- ◆ *Conception selon la norme IEC60034*
 - ◆ *TOTAL REFROIDISSEMENT PAR VENTILATEUR MOTEUR TYPE*
 - ◆ *Moteur haute efficacité YE3*
 - ◆ *Protection IP55 classe F*
 - ◆ *Roulement NSK de qualité*
 - ◆ *Service continu S1*
 - ◆ *Fiable utilisé pour le système de lutte contre l'incendie, etc.*
 - ◆ *Température ambiante jusqu'à + 50 °C*
 - ◆ *Type de refroidissement: IC411*

MODEL CODE/CÓDIGO MODELO/CODE MODÈLE



TECHNICAL DATA/DATOS TÉCNICOS/DONNÉES TECHNIQUES

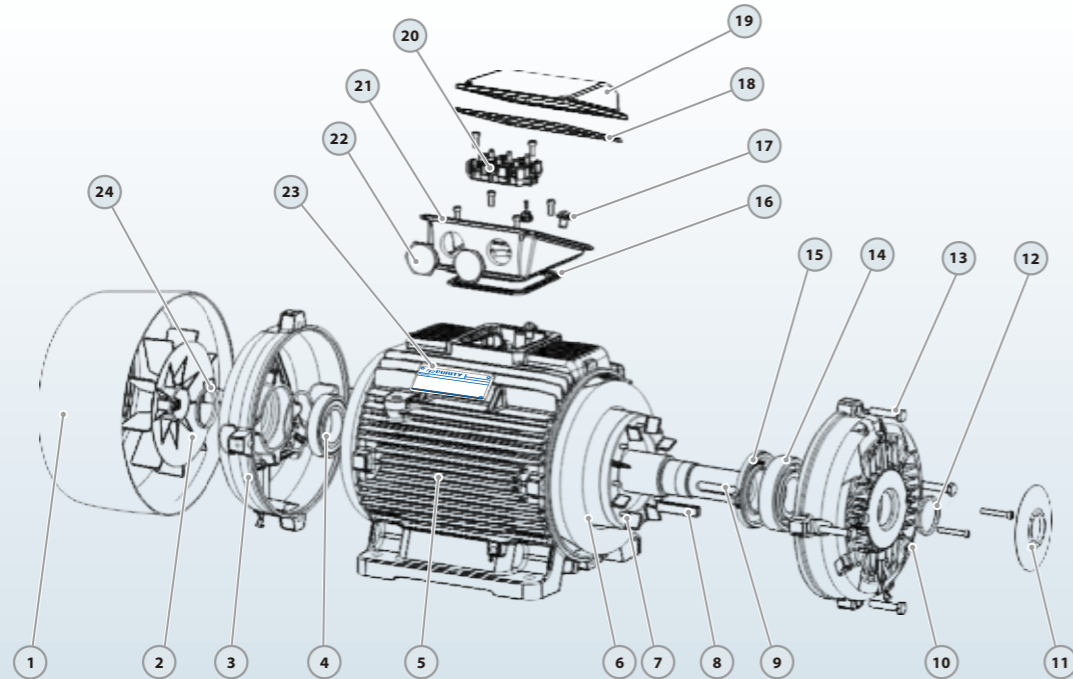
50 Hz n=2900 1/min

MODEL MODELO MODÈLE	Power Potencia Puissance		RPM 1/min	η			cos Φ	A			Nm	Ts/Tn	Tmax/Tn	Is/In	dB(A)	Kgs
	kw	hp		%	75%	50%		380V	400V	415V						
YE3-801-2	0.75	1	2880	80.7	80.7	79.1	0.82	1.72	1.64	1.58	2.49	2.3	2.3	7	73	18.1
YE3-802-2	1.1	1.5	2880	82.7	82.7	81	0.83	2.43	2.31	2.23	3.65	2.2	2.3	7.3	73	19.5
YE3-90S-2	1.5	2	2895	84.2	84.2	82.5	0.84	3.22	3.06	2.95	4.95	2.2	2.3	7.6	76	23.3
YE3-90L-2	2.2	3	2895	85.9	85.9	84.2	0.85	4.58	4.35	4.19	7.26	2.2	2.3	7.6	77	27.1
YE3-100L-2	3	4	2895	87.1	87.1	85.4	0.87	6.02	5.71	5.51	9.9	2.2	2.3	7.8	79	38.8
YE3-112M-2	4	5.5	2905	88.1	88.1	86.3	0.88	7.84	7.45	7.18	13.1	2.2	2.3	8.3	80	48.3
YE3-132S1-2	5.5	7.5	2930	89.2	89.2	87.4	0.88	10.6	10.1	9.75	17.9	2	2.3	8.3	83	55.1
YE3-132S2-2	7.5	10	2930	90.1	90.1	88.3	0.88	14.4	13.7	13.2	24.4	2	2.3	7.9	84	69.2
YE3-160M1-2	11	15	2945	91.2	91.2	89.4	0.89	20.6	19.6	18.9	35.7	2	2.3	8.1	87	113
YE3-160M2-2	15	20	2945	91.9	91.9	90.1	0.89	27.9	26.5	25.5	48.6	2	2.3	8.1	87	123
YE3-160L-2	18.5	25	2940	92.4	92.4	90.6	0.89	34.2	32.5	31.3	60.1	2	2.3	8.2	90	142
YE3-180M-2	22	30	2955	92.7	92.7	90.8	0.89	40.5	38.5	37.1	71.1	2	2.3	8.2	90	182
YE3-200L1-2	30	40	2960	93.3	93.3	91.4	0.89	54.9	52.1	50.3	96.8	2	2.3	7.6	91	246
YE3-200L2-2	37	50	2960	93.7	93.7	91.8	0.89	67.4	64	61.7	119.4	2	2.3	7.6	91	265
YE3-225M-2	45	60	2965	94	94	92.1	0.9	80.8	76.8	74	144.9	2	2.3	7.7	93	323
YE3-250M-2	55	75	2970	94.3	94.3	92.4	0.9	98.5	93.5	90.2	176.9	2	2.3	7.7	93	413
YE3-280S-2	75	100	2975	94.7	94.7	92.8	0.9	134	127	122	240.8	1.8	2.3	7.1	94	546
YE3-280M-2	90	125	2975	95	95	93.1	0.9	160	152	146	288.9	1.8	2.3	7.1	94	569
YE3-315S-2	110	150	2978	95.2	95.2	93.3	0.9	195	185	179	352.8	1.8	2.3	7.1	94	897
YE3-315M-2	132	180	2978	95.4	95.4	93.5	0.9	234	222	214	423.3	1.8	2.3	7.1	95	1029
YE3-315L1-2	160	220	2980	95.6	95.6	93.7	0.91	279	265	256	512.8	1.8	2.3	7.2	95	1067
YE3-315L2-2	200	270	2980	95.8	95.8	93.9	0.91	349	331	319	640.9	1.8	2.2	7.2	95	1194
YE3-355M-2	250	340	2982	95.8	95.8	93.9	0.91	436	414	399	800.6	1.6	2.2	7.2	103	1685
YE3-355L-2	315	430	2982	95.8	95.8	93.9	0.91	549	522	503	1009	1.6	2.2	7.2	103	1734

50 Hz n=1450 1/min

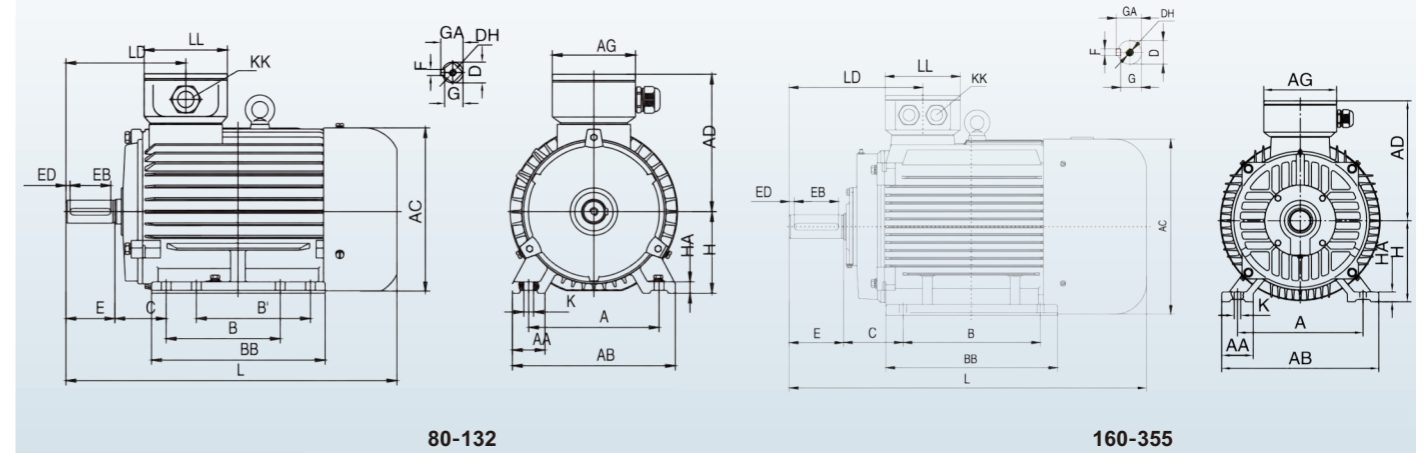
MODEL MODELO MODÈLE	Power Potencia Puissance		RPM 1/min	η			cos Φ	A			Nm	Ts/Tn	Tmax/Tn	Is/In	dB(A)	Kgs
	kw	hp		%	75%	50%		380V	400V	415V						
YE3-801-4	0.55	0.75	1400	80.8	80.8	79.2	0.75	1.38	1.31	1.26	3.75	2.4	2.3	5.2	63	17.6
YE3-802-4	0.75	1	1420	82.5	82.5	80.9	0.75	1.84	1.75	1.69	5.04	2.3	2.3	6.6	63	18.4
YE3-90S-4	1.1	1.5	1445	84.1	84.1	82.4	0.76	2.61	2.48	2.39	7.27	2.3	2.3	6.8	66	24.2
YE3-90L-4	1.5	2	1445	85.3	85.3	83.6	0.77	3.47	3.3	3.18	9.91	2.3	2.3	7	66	29.7
YE3-100L1-4	2.2	3	1450	86.7	86.7	85	0.81	4.76	4.52	4.36	14.6	2.3	2.3	7.6	68	41.5
YE3-100L2-4	3	4	1450	87.7	87.7	85.9	0.82	6.34	6.02	5.8	20	2.3	2.3	7.6	68	46
YE3-112M-4	4	5.5	1450	88.6	88.6	86.8	0.82	8.37	7.95	7.66	26.5	2.2	2.3	7.8	72	63.2
YE3-132S-4	5.5	7.5	1460	89.6	89.6	87.8	0.83	11.2	10.7	10.3	36	2	2.3	7.9	74	71.2
YE3-132M-4	7.5	10	1460	90.4	90.4	88.6	0.84	15	14.3	13.7	49.1	2	2.3	7.5	77	85.1
YE3-160M-4	11	15	1465	91.4	91.4	89.6	0.85	21.5	20.4	19.7	71.7	2.2	2.3	7.7	78	121
YE3-160L-4	15	20	1465	92.1	92.1	90.3	0.86	28.8	27.3	26.3	97.8	2.2	2.3	7.8	82	142
YE3-180M-4	18.5	25	1470	92.6	92.6	90.7	0.86	35.3	33.5	32.3	120.2	2	2.3	7.8	82	181
YE3-180L-4	22	30	1470	93	93	91.1	0.86	41.8	39.7	38.3	142.9	2	2.3	7.8	82	209
YE3-200L-4	30	40	1475	93.6	93.6	91.7	0.86	56.6	53.8	51.8	194.2	2	2.3	7.3	84	284
YE3-225S-4	37	50	1485	93.9	93.9	92	0.86	69.6	66.1	63.7	237.9	2	2.3	7.4	85	328
YE3-225M-4	45	60	1485	94.2	94.2	92.3	0.86	84.4	80.2	77.3	289.4	2	2.3	7.4	86	363
YE3-250M-4	55	75	1485	94.6	94.6	92.7	0.86	103	97.6	94.1	353.7	2.2	2.3	7.4	86	442
YE3-280S-4	75	100	1486	95	95	93.1	0.88	136	139	125	482	2	2.3	6.9	89	569
YE3-280M-4	90	125	1486	95.2	95.2	93.3	0.88	163	155	149	578.4	2	2.3	6.9	89	639
YE3-315S-4	110	150	1488	95.4	95.4	93.5	0.89	197	187	180	706	2	2.2	7	89	939
YE3-315M-4	132	180	1488	95.6	95.6	93.7	0.89	236	224	216	847.2	2	2.2	7	92	1033
YE3-315L1-4	160	220	1488	95.8	95.8	93.9	0.89	285	271	261	1027	2	2.2	7.1	92	1126
YE3-315L2-4	200	270	1490	96	96	94.1	0.9	352	334	322	1282	2	2.2	7.1	92	1238
YE3-355M-4	250	340	1490	96	96	94.1	0.9	440	418	403	1602	2	2.2	7.1	101	1830
YE3-355L-4	315	430	1490	96	96	94.1	0.9	554	526	507	2019	2	2.2	7.1	101	1950

MATERIAL DESCRIPTION/DESCRIPCIÓN DE MATERIAL/DESCRIPTION DU MATÉRIEL



No.	Description Descripción Description	Material Material Matériel	No.	Description Descripción Description	Material Material Matériel	No.	Description Descripción Description	Material Material Matériel
1	Fan cover Tapa ventilador Capot de ventilateur	Iron Hierro Le fer	9	Shaft Eje Arbre	45# Steel 45# Hierro 45 # Acier	17	Screw Tornillo Vis	Steel Acero Acier
2	Fan Ventilador Ventilateur	Plastic Plástico Plastique	10	Front endshield Escudo frontal Pare-brise avant	Cast iron Fundición Fonte	18	Gasket Empaquetadura Joint	Rubber Caucho Caoutchouc
3	Rear endshield Escudo trasero Pare-brise arrière	Cast iron Fundición Fonte	11	Bearing cap Tapa de rodamiento Capuchon de roulement	Cast iron Fundición Fonte	19	Terminal box cover Tapa de la caja Couvercle de boîte à bornes	Aluminum Aluminio Aluminium
4	Rear bearing Rodamiento trasero Roulement arrière	Ball Bearing Bola Rodamiento Roulement à billes	12	Seal Sello Joint	Rubber Caucho Caoutchouc	20	Terminal board Tablero de terminales Bornier	Plastic Plástico Plastique
5	Frame Marco Cadre	Cast iron Fundición Fonte	13	Bolt Tornillo Boulon	Steel Acero Acier	21	Terminal box Caja de terminales Boîte à bornes	Aluminum Aluminio Aluminium
6	Wound Stator Estator herido Stator de blessure	Silicon Steel/Copper Acero al Silicio/Cobre Acier au silicium / cuivre	14	Front bearing Rodamiento delantero Roulement avant	Ball Bearing Bola Rodamiento Roulement à billes	22	Terminal box plug Enchufe de la caja Fiche de boîte à bornes	Plastic Plástico Plastique
7	Rotor Rotor Rotor	Silicon Steel Acero al Silicio Acier au silicium	15	Internal bearing cap Tapa interna de rodamiento Chapeau de palier interne	Cast iron Fundición Fonte	23	Nameplate Placa de nombre Plaque signalétique	Aluminum Aluminio Aluminium
8	Key Llave Clé	Iron Hierro Le fer	16	Gasket Empaquetadura Joint	Rubber Caucho Caoutchouc	24	Seal Sello Scellé	Rubber Caucho Caoutchouc

DIMENSIONS/DIMENSIONES/DIMENSIONS



MODEL MODELO MODÈLE	DIMENSIONS/DIMENSIONES/DIMENSIONS mm																							
	A	AA	AB	AC	AD	AG	B	BB	C	D	DH	E	EB	ED	F	G	GA	H	HA	K	KK	L	LD	LL
80	125	34	160	167	147	102	100	150	50	19	M6X16	40	30	2.5	6	15.5	21.5	80	10	4-Φ10	1-M25X1.5	304	119	102
90S	140	36	176	182.4	154.5	102	100	161	56	24	M8X19	50	40	5	8	20	27	90	12	4-Φ10	1-M25X1.5	336	143	102
90L	140	36	176	182.4	154.5	102	125	186	56	24	M8X19	50	40	5	8	20	27	90	12	4-Φ10	1-M25X1.5	361	143	102
100L	160	40	200	205.4	166	102	140	213	63	28	M10X22	60	50	5	8	24	31	100	14	4-Φ12	1-M32X1.5	406	147	102
112M	190	50	240	230	188	118	140	188	70	28	M10X22	60	50	5	8	24	31	112	15	4-Φ12	2-M32X1.5	394	147	110
132S	216	55	265	258.4	203	118	140	186	89	38	M12X28	80	65	5	10	33	41	132	18	4-Φ12	2-M32X1.5	438	172	110
132M	216	55	265	258.4	203	118	178	224	89	38	M12X28	80	65	7.5	10	33	41	132	18	4-Φ12	2-M32X1.5	476	172	110
160M	254	65	314	314	251	162	210	260	108	42	M16X36	110	90	7.5	12	37	45	160	20	4-Φ14.5	2-M40X1.5	608	256	152
160L	254	65	314	314	251	162	254	304	108	42	M16X36	110	90	10	12	37	45	160	20	4-Φ14.5	2-M40X1.5	652	256	152
180M	279	70	349	355	267	162	241	311	121	48	M16X36	110	90	10	14	42.5	51.5	180	22	4-Φ14.5	2-M40X1.5	688	271	152
180L	279	70	349	355	267	162	279	349	121	48	M16X36	110	90	10	14	42.5	51.5	180	22	4-Φ14.5	2-M40X1.5	726	271	152
200L	318	70	388	397	299	210	305	369	133	55	M20X42	110	100	10	16	49	59	200	25	4-Φ18.5	2-M50X1.5	779	296	190
225S	356	75	431	446	322	210	286	368	149	60	M20X42	140	125	5	18	53	64	225	28	4-Φ18.5	2-M50X1.5	824	329	190
225M	356	75	431	446	322	210	311	393	149	55	M20X42	110	100	7.5	16	49	59	225	28	4-Φ18.5	2-M50X1.5	819	299	190
250M	406	80	484	485	358	248	349	445	168	60	M20X42	140	125	7.5	18	53	64	250	30	4-Φ24	2-M63X1.5	910	347	218
280S	457	85	542	547	387	248	368	485	190	65	M20X42	140	125	7.5	18	58	69	280	35	4-Φ24	2-M63X1.5	982	355.5	218
280M	457	85	542	547	387	248	419	536	190	65	M20X42	140	125	7.5	18	58	69	280	35	4-Φ24	2-M63X1.5	1033	355.5	218
315S	508	120	628	620	527	320	406	570	216	65	M20X42	140	125	7.5	18	58	69	315	45	4-Φ28	2-M63X1.5	1194	397	280
315M	508	120	628	620	527	320	457	680	216	65	M20X42	140	125	7.5	18	58	69	315	45	4-Φ28	2-M63X1.5	1304	397	280
315L	508	120	628	620	527	320	508	680	216	65	M20X42	140	125	7.5	18	58	69	315	45	4-Φ28	2-M63X1.5	1304	397	280
355M	610	116	726	698	642	380	560	750	254	75	M20X42	140	130	5	20	67.5	79.5	355	52	6-Φ28	2-M63X1.5	1486	414	330
355L	610	116	726	698	642	380	630	750	254	75	M20X42	140	130	5	20	67.5	79.5	355	52	6-Φ28	2-M63X1.5	1486	414	330